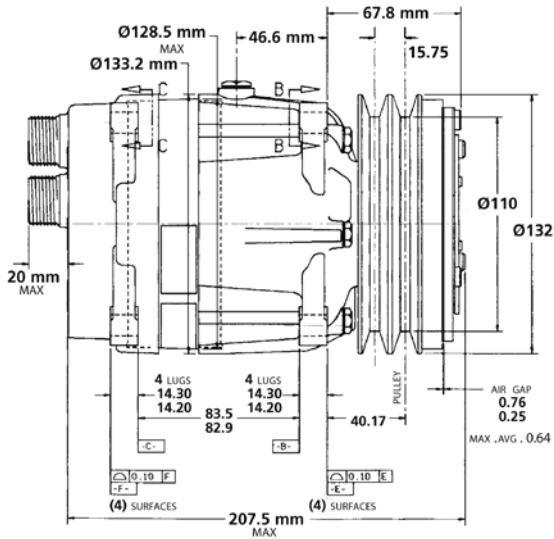


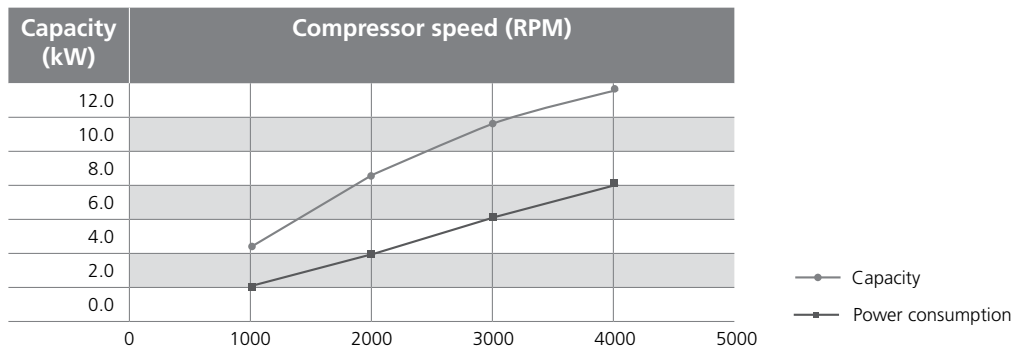
# Compressors

## Delphi V5



The first volume-produced variable displacement compressor, (98/151 cm<sup>3</sup>) the five-piston V-5 automatically adjusts displacement to match the vehicle's air-conditioning demand. A control valve in the V-5's rear head senses evaporator load, and automatically changes displacement to match that load. Refrigerant R134a

### Performance:



### Technical specifications:

Parameters	Specification
Type	5 piston wobble plate mechanism continuously variable displacement
Displacement (cm <sup>3</sup> )	Maximum: 156, Minimum: 10
Dimensions (mm)	Length: 205.0, Diameter: 135.0
Dry weight (kg)	6,3 (with clutch assembly)
Capacity (2000 rpm) (W)	7,511
Operating speed (RPM)	standard 6,000, maximum continuous 7,500, transient
Displacement control	Integral pneumatic control valve
High pressure relief valve setting	3171-4137 psf, 3171-4137 kPa
Rotation	Clockwise
Refrigerant	R134a

Order number	Type	Quantity (ml)	Color	Description	200 lb/in <sup>2</sup>	100 lb/in <sup>2</sup>
<b>Oil</b>						
62040594B	PAG ISO 150	250				
<b>Valve</b>						
620425008A			Orange	V5 valve	44.0/46.0	48.8/52.2
620425009A			Red	V5 valve	44.0/46.0	48.8/52.2
620425010A			Brown	V5 valve	42.0/44.0	49.8/50.2
620425011A			Yellow	V5 valve	39.0/41.0	43.8/47.2
620425013A			Blue	V5 valve	41.0/43.0	48.8/49.2
620425014A			Green	V5 valve	37.0/39.0	41.3/44.7